



# MG CONNECTORS

## CIRCULAR REVERSE BAYONET COUPLING

<b>INDEX:</b>	
	Page
INTRODUCTION	2
SHELL DRAWINGS	3
DIMENSION CHART	4
INSERT SPECIFICATION	5
TECHNICAL SPECIFICATION	6
ORDERING INFORMATION	7

European Distributor:  
EMCT Inc.  
PO. Box 241  
CH-3322 Bern / Switzerland  
info@emct.ch www.emct.ch



"Connect Through Allied"

CIRCULAR REVERSE BAYONET COUPLING CONNECTORS

These are circular connectors with rugged aluminium alloy shells and reverse bayonet coupling. Based on MIL-C-5015, there is a wide range of contact arrangements available. Insert material is Polychloroprene. These connectors give quick positive coupling with audible indication of full coupling.

Other attributes include high shock and vibration capabilities without the need for lockwiring. The connectors offer an operating temperature range of -55°C to +125°C & are intermateable with VG95234 and 121B connectors.

Designed originally as a military connector, current applications include railways, process control equipments, communication equipments, stage lighting, mining equipments ..... to name a few.

MG 00F

Box mounting receptacle for front mounting. With cable clamp and telescopic bushing.



MG 01F

Cable connecting receptacle with cable clamp and telescopic bushing.



MG 00T

Box mounting receptacle for front mounting. With back shell threads.



MG 02R B05

Box mounting receptacle for rear mounting.



MG 02R

Box mounting receptacle for front mounting.



MG 06F

Straight cable connector With cable clamp and telescopic bushing.



MG 08F

90° angle connector With cable clamp and telescopic bushing.



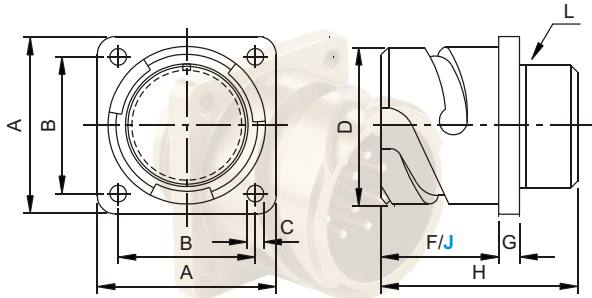
MG TBF

Bulkhead receptacle.



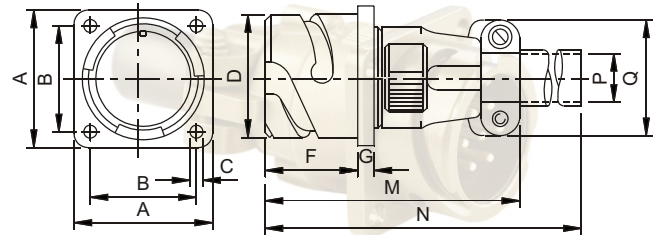
MG 00T / B05


Box mounting receptacle for front mounting.  
With back shell threads.



MG 00F

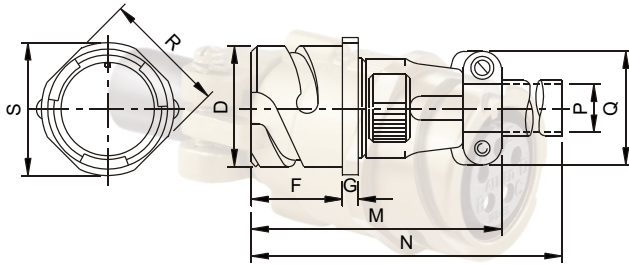
Box mounting receptacle for front mounting.  
With cable clamp and telescopic bushing.



TH option available on all square flange connectors. 

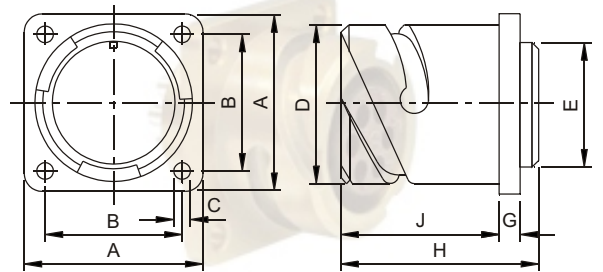
MG 01F

Cable connecting receptacle with cable clamp  
and telescopic bushing.



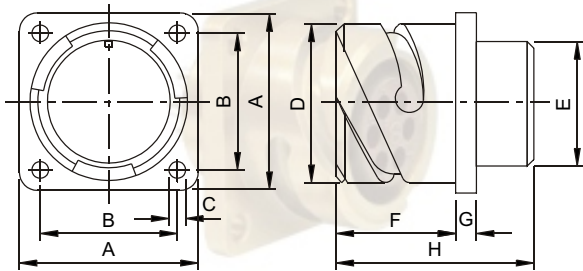
MG 02R B05

Box mounting receptacle for rear mounting.



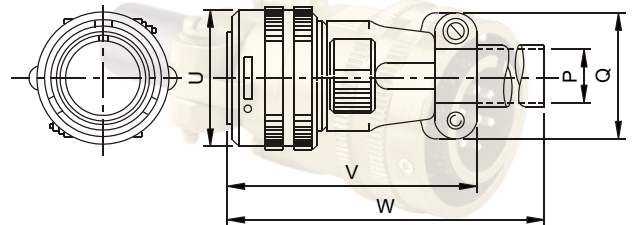
MG 02R

Box mounting receptacle for front mounting.



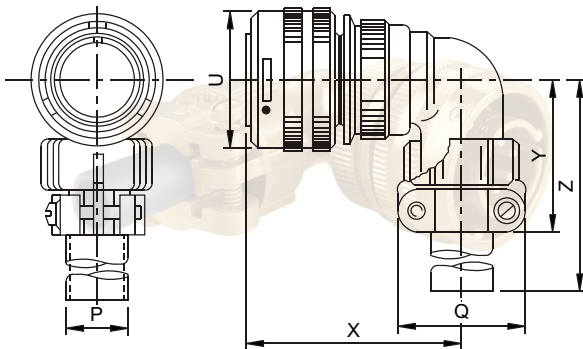
MG 06F

Straight cable connector with cable clamp  
and telescopic bushing.



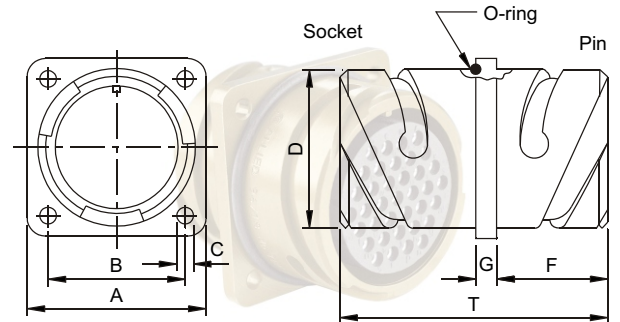
MG 08F

90 ° angle connector with cable clamp  
and telescopic bushing.



MG TBF

Bulkhead receptacle.



**DIMENSION CHART**

SHELL SIZE	10SL	14S	16S	16	18	20	22	24	28	32	36
<b>A</b> 0.3	25.4	30.0	32.0	32.0	35.0	38.0	41.0	44.5	50.8	57.0	64.0
<b>B</b> 0.1	18.2	23.0	24.6	24.6	27.0	29.4	31.8	34.9	39.7	44.5	49.2
<b>C</b> +0.15 -0	3.2	3.2	3.2	3.2	3.2	3.2	3.2	3.7	3.7	4.3	4.3
<b>D</b> +0 -0.15	18.2	24.6	27.4	27.4	30.8	34.2	37.4	40.9	46.7	53.4	59.6
<b>E</b> MAX	16.2	19.2	22.4	22.4	25.6	29.0	32.2	35.3	41.4	47.8	54.1
<b>F</b> +0.4 -0	14.2	14.2	14.2	19.0	19.0	19.0	19.0	20.6	20.6	22.2	22.2
<b>G</b> 0.2	2.8	3.2	3.2	3.2	4.0	4.0	4.0	4.0	4.0	4.0	4.0
<b>H</b> 0.3	24.7	24.7	24.7	33.8	33.8	33.8	33.8	35.7	35.7	37.3	37.3
<b>J</b> +0.4 -0	18.2	18.2	18.2	21.5	23.0	23.0	23.0	23.0	24.0	24.0	24.0
<b>K</b> ISO Thread	M4	M4	M4	M4	M4	M4	M4	M4	M5	M5	M5
<b>L</b> UNEF-2A Thread	5/8" x 24	3/4" x 20	7/8" x 20	7/8" x 20	1" x 20	1 1/8" x 18	1 1/4" x 18	1 3/8" x 18	1 5/8" x 18	1 7/8" x 16UN	2 1/8" x 16UN
<b>M</b> MAX	60.0	62.0	70.0	70.0	77.0	77.0	77.0	85.0	85.0	85.0	105.0
<b>N</b> MAX	120.0	120.0	120.0	125.0	125.0	125.0	125.0	125.0	125.0	125.0	135.0
<b>P</b> Cable Entry	6.5	9.0	11.0	11.0	14.2	15.8	15.8	21.4	212.4	26.7	31.7
<b>Q</b> MAX	23.0	28.0	30.5	30.5	33.0	38.1	38.1	44.2	44.2	52.7	58.4
<b>R</b> 0.2	20.6	25.4	28.6	28.6	31.7	34.9	38.1	41.3	47.6	54.0	60.6
<b>S</b> +0 -0.15	25.2	29.3	32.3	32.3	34.8	37.8	41.1	44.6	50.9	57.1	63.6
<b>T</b> 0.7	37.5	37.5	37.5	51.4	51.4	51.4	51.4	51.4	51.4	51.4	51.4
<b>U</b> MAX	24.5	30.5	33.5	33.5	37.5	40.5	44.0	47.5	53.5	60.0	67.5
<b>V</b> MAX	55.0	60.0	60.0	70.0	75.0	75.0	75.0	90.0	90.0	90.0	100.0
<b>W</b> MAX	115.0	115.0	115.0	120.0	120.0	120.0	120.0	120.0	120.0	120.0	130.0
<b>X</b> MAX	45.0	47.0	48.0	57.0	58.0	61.0	61.0	66.0	66.0	72.0	75.0
<b>Y</b> MAX	42.0	42.0	45.0	45.0	53.0	53.0	53.0	58.0	58.0	66.0	69.0
<b>Z</b> MAX	100.0	100.0	100.0	100.0	100.0	100.0	100.0	100.0	100.0	110.0	110.0

## INSERT SPECIFICATIONS

SR. NO.	INSERT NO.	TOTAL CONTACTS	CONTACTS SIZE					SERVICE RATING
			# 0	# 4	# 8	# 12	# 16	
1	10SL-3	3	-	-	-	-	3	A
2	10SL-4	2	-	-	-	-	2	A
3	14S-2	4	-	-	-	-	4	INST
4	14S-5	5	-	-	-	-	5	INST
5	14S-6	6	-	-	-	-	6	INST
6	14S-7	3	-	-	-	-	3	A
7	14S-9	2	-	-	-	-	2	A
8	14SA-61	7	-	-	-	-	7	INST
9	16S-1	7	-	-	-	-	7	A
10	16S-4	2	-	-	-	-	2	D
11	16S-5	3	-	-	-	-	3	A
12	16S-8	5	-	-	-	-	5	A
13	16-9	4	-	-	-	2	2	A
14	16-10	3	-	-	-	3	-	A
15	16-11	2	-	-	-	2	-	A
16	18-1	10	-	-	-	-	10	A,INST
17	18-3	2	-	-	-	2	-	A
18	18-4	4	-	-	-	-	4	D
19	18-5	3	-	-	-	2	1	D
20	18-8	8	-	-	-	1	7	A
21	18-9	7	-	-	-	2	5	INST
22	18-10	4	-	-	-	4	-	A
23	18-11	5	-	-	-	5	-	A
24	18-12	6	-	-	-	-	6	A
25	20-2	1	1	-	-	-	-	D
26	20-3	3	-	-	-	3-	-	D
27	20-4	4	-	-	-	4	-	D
28	20-7	8	-	-	-	-	8	A,D
29	20-8	6	-	-	2	-	4	INST
30	20L-9	9	-	-	-	9	-	INST
31	20-14	5	-	-	2	3	-	A
32	20-15	7	-	-	-	7	-	A
33	20-16	9	-	-	-	2	7	A
34	20-17	6	-	-	-	5	1	A
35	20-18	9	-	-	-	3	6	A
36	20-19	3	-	-	3	-	-	A
37	20-23	2	-	-	2	-	-	A
38	20-24	4	-	-	2	-	2	A
39	20-27	14	-	-	-	-	14	A
40	20-29	17	-	-	-	-	17	A
41	20-33	11	-	-	-	-	11	A
42	20L-48	19	-	-	-	-	19	INST
43	22-2	3	-	-	3	-	-	A
44	22-7	1	1	-	-	-	-	E
45	22-9	3	-	-	-	3	-	E
46	22-10	4	-	-	-	-	4	E
47	22-14	19	-	-	-	-	19	A
48	22-15	6	-	-	-	5	1	A,E
49	22-16	9	-	-	-	3	6	A
50	22-18	8	-	-	-	-	8	A,D
51	22-19	14	-	-	-	-	14	A
52	22-20	9	-	-	-	-	9	A
53	22-22	4	-	-	4	-	-	A
54	22-23	8	-	-	-	8	-	A,D
55	22-29	7	-	1	-	-	6	A

SR. NO.	INSERT NO.	TOTAL CONTACTS	CONTACTS SIZE					SERVICE RATING
			# 0	# 4	# 8	# 12	# 16	
56	22-33	7	-	-	-	-	7	A,D
57	22-34	5	-	-	-	3	2	D
58	24-2	7	-	-	-	7	-	D
59	24-4	4	1	-	-	-	3	D
60	24-5	16	-	-	-	-	16	A
61	24-6	8	-	-	-	8	-	A,D
62	24-7	16	-	-	-	2	14	A
63	24-9	2	-	2	-	-	-	A
64	24-10	7	-	-	7	-	-	A
65	24-11	9	-	-	3	6	-	A
66	24-12	5	-	2	-	3	-	A
67	24-20	11	-	-	-	2	9	D
68	24-21	10	-	-	1	-	9	D
69	24-22	4	-	-	4	-	-	D
70	24-27	7	-	-	-	-	7	E
71	24-28	24	-	-	-	-	24	INST
72	24L-58*	13	-	-	3	3	7	INST
73	28-3	3	-	-	3	-	-	E
74	28-5	5	-	2	-	1	2	D
75	28-6	3	-	3	-	-	-	D
76	28-8	12	-	-	-	2	10	A,D,E
77	28-9	12	-	-	-	6	6	D
78	28-10	7	-	2	2	3	-	A,D
79	28-11	22	-	-	-	4	18	A
80	28-12	26	-	-	-	-	26	A
81	28-13	26	-	-	-	-	26	A
82	28-15	35	-	-	-	-	35	A
83	28-16	20	-	-	-	-	20	A
84	28L-16	9	-	4	-	-	5	A
85	28-18	12	-	-	-	-	12	A,C,D,INST
86	28-19	10	-	-	-	4	6	A,B,D
87	28-20	14	-	-	-	10	4	A
88	28-21	37	-	-	-	-	37	A
89	28-22	6	-	3	-	-	3	D
90	28L-51	43	-	-	-	-	43	A
91	28L-61	16	-	-	-	16	-	A
92	32-3	9	1	2	-	2	4	D
93	32-4	14	-	-	-	2	12	A,D
94	32-5	2	2	-	-	-	-	D
95	32-6	23	-	2	3	2	16	A
96	32-7	35	-	-	-	7	28	A,INST
97	32-8	30	-	-	-	6	24	A
98	32-9	14	-	2	-	-	12	D
99	32L-10	54	-	-	-	-	54	A
100	32-17	4	-	4	-	-	-	D
101	32L-68	16	-	4	-	-	12	A
102	36-5	4	4	-	-	-	-	A
103	36-9	31	-	1	2	14	14	A
104	36-10	48	-	-	-	-	48	A
105	36-14	16	-	-	5	5	6	D
106	36-15	35	-	-	-	-	35	A,D
107	36L-34	52	-	-	-	-	52	A
108	36L-46	27	-	-	-	27	-	A
109	36-52	52	-	-	-	-	52	A

Shell size 40 available - Contact Factory

- \* CONSULT FACTORY BEFORE ORDERING
- SPECIAL INSERT ARRANGEMENTS ALSO AVAILABLE.
- Shell sizes 12S & 44 for RANGE MS ONLY.

“Connect Through Allied”

To Index



**GENERAL SPECIFICATION**

Shell Housing	Aluminium alloy
Plating	Olive drab chromate conversion over Cadmium
Insulator	Polychloroprene
Contact Material	Copper base alloy - Silver plated
Operating Temperature	- 55° C to +125° C
Insulation Resistance	Min. 5000 Meg Ohms at 500 VDC
Current rating	10 to 150 Amps. (Depends on contact arrangement )
Working voltage	200 to 3000 VAC rms ( Depends on contact arrangement )
Wire termination	Solder type

**SERVICE RATING**

	INST	A	D	E	B	C
Test Voltage at Sea level AC rms	1000	2000	2800	3500	4500	7000
Rated working Voltage - DC	250	700	1250	1750	2450	4200
At sea level AC rms	200	500	900	1250	1750	3000
Effective creepage-(nom. mm)	1.57	3.18	4.75	6.35	7.92	25.40
Mechanical spacing-(nom. mm)	-	1.57	3.18	4.75	6.35	7.92

**CONTACT RATING**

CONTACT SIZE	16	12	8	4	0
Max test current - Amps	22	41	73	135	245
Rated current - Amps	13	23	46	80	150

*Information provided in this catalogue should be used for guidelines only. Users, however, should independently evaluate the suitability of product, depending on application. Information / illustrations are subject to change without prior notice.*

**CONNECTORS**

Example: **MG 02R 28-21 P W GP XX**

**SERIES PREFIX**

For reverse bayonet coupling connectors

**SHELL STYLES**

- 00T - Box mounting Receptacle with rear accessory thread
- 00F - As 00T with cable clamp
- 01F - Cable Extension connector
- 02R - Box Mounting receptacle
- 06F - Cable connector straight
- 08F - Cable connector angular
- 06V - As 06F but with arctic grip coupling nut
- 08V - As 08F but with arctic grip coupling nut
- TBF - Bulkhead receptacle

**INSERT NUMBER**

Consist of Shell Size 10SL, 14S, 16S,16 18,20,22,24,28,32,36  
 Contact arrangement code number as per MIL-C-5015  
 See Insert Specifications

**CONTACT TYPE**

- P - Pin (male contact)
- S - Socket (female contact)

**ALTERNATE INSERT POSITION**

(omit for standard position)  
 W, X, Y OR Z for alternate position depending on insert

**FINISH (omit for standard)**

- GP - Flash Gold plated contacts solder only
- EN - Electroless nickel plated shell
- NI - Nickel plated shell

**MODIFICATION (Omit for standard)**

- B-05 Box mounting receptacle for rear mounting (Applies to type MG 02R only)
  - A-30 Crimp contacts-Silver plated
  - C-30 Crimp contacts-flash Gold plated-available in selected sizes  
 (contact sales department for details)
  - TH - Threaded mounting holes (Applies to receptacles only)
  - 211 - Less backshell grommet & follower
  - PMC - Pre mating contact
- For other modification requirements contact Factory.

**PROTECTIVE CAPS**

Example: **MG XX XX CC**

**SERIES PREFIX**

for reverse bayonet coupling connector

**ACCESSORY TYPE**

Cap and chain

**SHELL STYLE**

- 02 - Receptacle
- 06 - Cable connectors

**SHELL SIZE**

10SL,14S,16S,16,18,20,22,24,28,32,36